



Where Georgia comes together.

AIRPORT STORM DRAINAGE OUTLET

Bid No. 2025-38

Due Date: June 26, 2025 at 2:30 pm

Invitation to Bid
Airport Storm Drainage Outlet
BID # 2025-38
Due Date: June 26, 2025

INVITATION TO BID

1.1 Competitive Cost Sealed Bids

The City of Perry, Georgia (“City”) is now accepting proposals from qualified contractors for construction of a Storm Drainage Outlet in accordance with the attached specification (Attachment A).

Sealed Bids for Airport Storm Drainage Outlet will be received until 2:30 pm on June 26, 2025, at 1211 Washington Street, Perry, GA 31069. Bids will then be publicly opened and read aloud at said office. Any bid received after 2:30 pm on June 26, 2025, will not be considered by the Owner. Following the closing time for the receipt of bids, no bid may be withdrawn for a period of sixty (60) days.

1.2 Scope of Work

The City is soliciting bids for the construction of a storm drainage outlet located near the Perry-Houston County Airport, 935 Airport Road, Perry, GA 31069. Approximately location of the outlet structure is noted on Attachment B “Site Aerial View”.

Construction should strictly adhere to the specification in Attachment A of this document.

1.3 Licenses and Permits

The vendor shall obtain and pay for any permits and licenses required for the performance of the work, post all notices required by law, and comply with all laws, ordinances, and regulations bearing on the conduct of the work, as specified herein. For any work that requires an inspection certificate issued by local authorities or any other governing body, such inspection certificate(s) shall be obtained by and paid for by the vendor. The chosen vendor shall procure all required certificates of acceptance or completion issued by state, municipal, or other authorities and must deliver these to the City.

1.4 Insurance

The vendor shall, at vendor expense, procure and maintain satisfactory public liability and casualty insurance to adequately protect the vendor’s personnel and the City against damages for bodily injury, including death, that may arise from operations under this contract, whether

Invitation to Bid
Airport Storm Drainage Outlet
BID # 2025-38
Due Date: June 26, 2025

such operations are by the vendor or by the vendor's subcontractor, or anyone directly or indirectly employed by the vendor.

The City will require the vendor with which a contract is established to provide evidence of appropriate professional liability insurance, errors and omission insurance, and workers' compensation insurance coverage prior to the commencement of work.

Such coverage must be provided by an insurance company or companies authorized to do business in the State of Georgia. Certificates must name the City as an Additional Insured, shall provide that Contractor's policy is primary over any insurance carried by the City, and shall provide that the policy will not be canceled or materially changed without 30 days prior notice in writing to the City. The successful vendor must agree, if awarded a contract as a result of its proposal, to indemnify and hold harmless the City, its officers, agents, and employees from any and all claims and losses accruing or resulting to persons engaged in the work contemplated by its proposal or to persons who may be injured or damaged by the firm or its agents in the performance of the work. Provider minimum insurance coverages are General Liability \$1,000,000, Vehicle Liability of \$1,000,000, Worker's Compensation & Employees' Liability \$1,000,000. Prior to the commencement of any work, these and other provisions will be established contractually.

1.5 Bidder Responsibility

Unless otherwise stipulated, the vendor shall provide and pay for all materials, labor, tools, equipment, transportation, and other facilities necessary for the performance and completion of the work.

1.6 E-Verify Requirement

All bidders shall provide a signed E-Verify affidavit with the bid. Bids will not be considered without the Contractor's affidavit. The successful bidder is responsible for obtaining a signed E-verify affidavit from their Subcontractors and Sub-subcontractors.

1.7 Rejection of Proposal:

The City reserves the right to reject any or all proposals, to waive any informality in such proposals, to request new proposals, to revise the Bid prior to the time for final submission of written proposals, to proceed to do the work otherwise, to withdraw this Bid, to not award the contract, to not award a portion or portions of the contract, and/or to negotiate separately with any source whatsoever in any manner necessary to serve the best interest of the City. The City may not award a contract based solely on this request for proposals and will not pay for the information obtained and solicited. The information obtained will be used in determining the proposal that best meets the City's needs. Unauthorized conditions, limitations or provisions attached to a Proposal may render it as not complying with the City's original request and may be subsequently rejected. No oral proposal or modifications to submitted proposals will be accepted.

Invitation to Bid
Airport Storm Drainage Outlet
BID # 2025-38
Due Date: June 26, 2025

1.8 Amendments

The City reserves the right to amend this bid prior to the proposal due date. All amendments and additional information will be posted to the City of Perry website at <http://www.perry-ga.gov/bids.php>. The City will not be responsible for any oral or other unofficial interpretation of any element of this BID or its related documentation.

1.9 Bid Due Date

All bids must be received in the Department of Finance – Purchasing no later than 2:30 pm, June 26, 2025.

1.10 Questions

Any questions regarding this bid should be directed to Chad McMurrian, Engineering Services Manager.

It is recommended, but not required, that all desiring to submit a bid for the project conduct a pre-bid site visit. The site visit can be scheduled by contacting Chad McMurrian:

Chad McMurrian, Engineering Services Manager
City of Perry
(478) 988-2733
Chad.mcmurrian@perry-ga.gov
741 Main Street; P.O. Box 2030
Perry, GA 31069

1.11 Submission of Bid

Bid documents must be clearly marked on the outside “Bid #2025-38 Airport Storm Drainage Outlet. No fax transmissions or emails will be accepted. Bids are to be submitted to:

Bid #2025-38 Airport Storm Drainage Outlet
1211 Washington Street, P.O. Box 2030
Perry, GA 31069

Invitation to Bid
Airport Storm Drainage Outlet
BID # 2025-38
Due Date: June 26, 2025

Contractor Affidavit under O.C.G.A. § 13-10-91(b)(1)

By executing this affidavit, the undersigned Contractor verifies its compliance with O.C.G.A. § 13-10-91, stating affirmatively that the individual, firm or corporation which is engaged in the physical performance of services on behalf of City of Perry has registered with, is authorized to use and uses the federal work authorization program commonly known as E-Verify, or any subsequent replacement program, in accordance with the applicable provisions and deadlines established in O.C.G.A. § 13-10-91. Furthermore, the undersigned Contractor will continue to use the federal work authorization program throughout the contract period and the undersigned Contractor will contract for the physical performance of services in satisfaction of such contract only with subcontractors who present an affidavit to the Contractor with the information required by O.C.G.A. § 13-10-91(b). Contractor hereby attests that its federal work authorization user identification number and date of authorization are as follows:

Federal Work Authorization User Identification Number

Date of Authorization

Name of Contractor

Name of Project

Name of Public Employer

I hereby declare under penalty of perjury that the foregoing is true and correct.

Executed on _____, _____, 202__ in _____ (city), _____ (state).

Signature of Authorized Officer or Agent

Printed Name and Title of Authorized Officer or Agent

SUBSCRIBED AND SWORN BEFORE ME ON THIS _____ DAY OF _____, 202__.

NOTARY PUBLIC

My Commission Expires: _____

Invitation to Bid
Airport Storm Drainage Outlet
BID # 2025-38
Due Date: June 26, 2025

Sub-subcontractor Affidavit under O.C.G.A. § 13-10-91(b)(4)

By executing this affidavit, the undersigned sub-subcontractor verifies its compliance with O.C.G.A. § 13-10-91, stating affirmatively that the individual, firm or corporation which is engaged in the physical performance of services under a contract for _____ (name of subcontractor or sub-subcontractor with whom such sub-subcontractor has privity of contract) and _____ (name of Contractor) on behalf of City of Perry, Georgia has registered with, is authorized to use and uses the federal work authorization program commonly known as E-Verify, or any subsequent replacement program, in accordance with the applicable provisions and deadlines established in O.C.G.A. § 13-10-91. Furthermore, the undersigned sub-subcontractor will continue to use the federal work authorization program throughout the contract period and the undersigned sub-subcontractor will contract for the physical performance of services in satisfaction of such contract only with sub-subcontractors who present an affidavit to the sub-subcontractor with the information required by O.C.G.A. § 13-10-91(b). The undersigned sub-subcontractor shall submit, at the time of such contract, this affidavit to _____ (name of subcontractor or sub-subcontractor with whom such sub-subcontractor has privity of contract). Additionally, the undersigned sub-subcontractor will forward notice of the receipt of any affidavit from a sub-subcontractor to _____ (name of subcontractor or sub-subcontractor with whom such sub-subcontractor has privity of contract). Sub-subcontractor hereby attests that its federal work authorization user identification number and date of authorization are as follows:

Federal Work Authorization User Identification Number

Date of Authorization

Name of Sub-subcontractor

Name of Project

Name of Public Employer

I hereby declare under penalty of perjury that the foregoing is true and correct.

Executed on _____, _____, 202____ in _____ (city), _____ (state)

Signature of Authorized Officer or Agent

Printed Name and Title of Authorized Officer or Agent

SUBSCRIBED AND SWORN BEFORE ME ON THIS _____ DAY OF _____, 202____.

NOTARY PUBLIC

My Commission Expires: _____

Invitation to Bid
Airport Storm Drainage Outlet
BID # 2025-38
Due Date: June 26, 2025

Secure and Verifiable Documents under O.C.G.A. § 50-36-2

- A United States passport or passport card [O.C.G.A. § 50-36-2(b) (3); 8 CFR § 274a.2]
- A United States military identification card [O.C.G.A. § 50-36-2(b) (3); 8 CFR § 274a.2]
- A driver's license issued by one of the United States, the District of Columbia, the Commonwealth of Puerto Rico, Guam, the Commonwealth of the Northern Marianas Islands, the United States Virgin Island, American Samoa, or the Swain Islands, provided that it contains a photograph of the bearer or lists sufficient identifying information regarding the bearer, such as name, date of birth, gender, height, eye color, and address to enable the identification of the bearer. [O.C.G.A. § 50-36-2(b)(3); 8 CFR § 274a.2]
- An identification card issued by one of the United States, the District of Columbia, the Commonwealth of Puerto Rico, Guam, the Commonwealth of the Northern Marianas Islands, the United States Virgin Island, American Samoa, or the Swain Islands, provided that it contains a photograph of the bearer or lists sufficient identifying information regarding the bearer, such as name, date of birth, gender, height, eye color, and address to enable the identification of the bearer. [O.C.G.A. § 50-36-2(b)(3); 8 CFR § 274a.2]
- A tribal identification card of a federally recognized Native American tribe, provided that it contains a photograph of the bearer or lists sufficient identifying information regarding the bearer, such as name, date of birth, gender, height, eye color, and address to enable the identification of the bearer. A listing of federally recognized Native American tribes may be found at:
<http://www.bia.gov/WhoWeAre/BIA/OIS/TribalGovernmentServices/TribalDirectory/index.htm>. [O.C.G.A. § 50-36-2(b) (3); 8 CFR § 274a.2]
- A United States Permanent Resident Card or Alien Registration Receipt Card. [O.C.G.A. § 50-36-2(b) (3); 8 CFR § 274a.2]
- An Employment Authorization Document that contains a photograph of the bearer. [O.C.G.A. § 50-36-2(b) (3); 8 CFR § 274a.2]
- A passport issued by a foreign government. [O.C.G.A. § 50-36-2(b) (3); 8 CFR § 274a.2] • A Merchant Mariner Document or Merchant Mariner Credential issued by the United States Coast Guard. [O.C.G.A. § 50-36-2(b) (3); 8 CFR § 274a.2]
- A Free and Secure Trade (FAST) card. [O.C.G.A. § 50-36-2(b) (3); 22 CFR § 41.2]
- A NEXUS card. [O.C.G.A. § 50-36-2(b) (3); 22 CFR § 41.2]
- A Secure Electronic Network for Travelers Rapid Inspection (SENTRI) card. [O.C.G.A. § 50-36-2(b) (3); 22 CFR § 41.2] • A driver's license issued by a Canadian government authority. [O.C.G.A. § 50-36-2(b) (3); 8 CFR § 274a.2]
- A Certificate of Citizenship issued by the United States Department of Citizenship and Immigration Services. (USCIS) (Form N- 560 or Form N-561) [O.C.G.A. § 50-36-2(b) (3); 6 CFR § 37.11]
- A Certificate of Naturalization issued by the United States Department of Citizenship and Immigration Services. (USCIS) (Form N-550 or Form N-570) [O.C.G.A. § 50-36-2(b)(3); 6 CFR § 37.11]
- In addition to the documents listed herein, if, in administering a public benefit or program, an agency is required by federal law to accept a document for proof of or documentation of identity, that document will be deemed a secure and verifiable document solely for that particular program or administration of that particular public benefit. [O.C.G.A. § 50-36-2(c)]

**Invitation to Bid
Airport Storm Drainage Outlet
BID # 2025-38
Due Date: June 26, 2025**

SAVE AFFIDAVIT

STATE OF GEORGIA
HOUSTON COUNTY

By executing this affidavit under oath, as an applicant for a public benefit, as referenced in O.C.G.A §50-36-1, administered by the Georgia Department of Community Affairs, the undersigned applicant verifies on of the following with respect to my ability to enter into a contract with the City of Perry.

- 1. _____ I am a United States Citizen
Or
- 2. _____ I am a legal permanent resident of the United States.
Or
- 3. _____ I am an otherwise qualified alien or non-immigrant under the Federal Immigration and Nationality Act and lawfully present in the United States with an alien number issued by the Department of Homeland Security or other federal immigration agency. My alien number issued by the Department of Homeland Security or other federal immigration agency is: _____.

The undersigned applicant also hereby verifies that he or she is 18 years of age or older and has provided at least on secure and verifiable document, as required by O.C.G.A. §50-36-1(f)(1), with this affidavit.

The secure and verifiable document provided with the affidavit can best be classified as:

In making the above representation under oath, I understand that any person who knowingly and willfully makes a false, fictitious, or fraudulent statement or representation in an affidavit shall be guilty of a violation of O.C.G.A. §16-10-20, and face criminal penalties as allowed by such criminal statute.

Executed this ____ day of _____, 202_ in _____ (city) _____ (state).

Signature of Applicant

Printed Name of Applicant

SUBSCRIBED AND SWORN BEFORE ME ON THIS _____ DAY OF _____, 202__.

NOTARY PUBLIC

My Commission Expires:_____

**Invitation to Bid
Airport Storm Drainage Outlet
BID # 2025-38
Due Date: June 26, 2025**

BID FORM

BID RECIPIENT

This Bid is submitted to:

Project:

CITY OF PERRY
Department of Finance – Purchasing
1211 Washington Street
P O Box 2030
Perry, Georgia 31069

Airport Storm Drainage Outlet

The undersigned Bidder proposes and agrees, if this Bid is accepted, to enter into an Agreement with Owner to perform all work as specified or indicated in the Bidding Documents for the prices and within the times indicated in this Bid and in accordance with the other terms and conditions of the Bidding Documents.

BIDDER ACKNOWLEDGEMENTS

Bidder accepts all of the terms and conditions of the Instructions to Bidders, including without limitation those dealing with the disposition of Bid security. This Bid will remain subject to acceptance for 60 days after the Bid opening, or for such longer period of time that Bidder may agree to in writing upon request of Owner. After the Notice to Proceed is received, the awarded Bidder shall begin work within 30 days of notification. Work shall commence on a date agreed to by both parties and continue uninterrupted until the project is complete.

BIDDER REPRESENTATIONS

In submitting this Bid, Bidder represents that:

- Bidder has examined and carefully studied the Bidding Documents, the other related data identified in the Bidding Documents, and the following Addenda, receipt of which is hereby acknowledged.

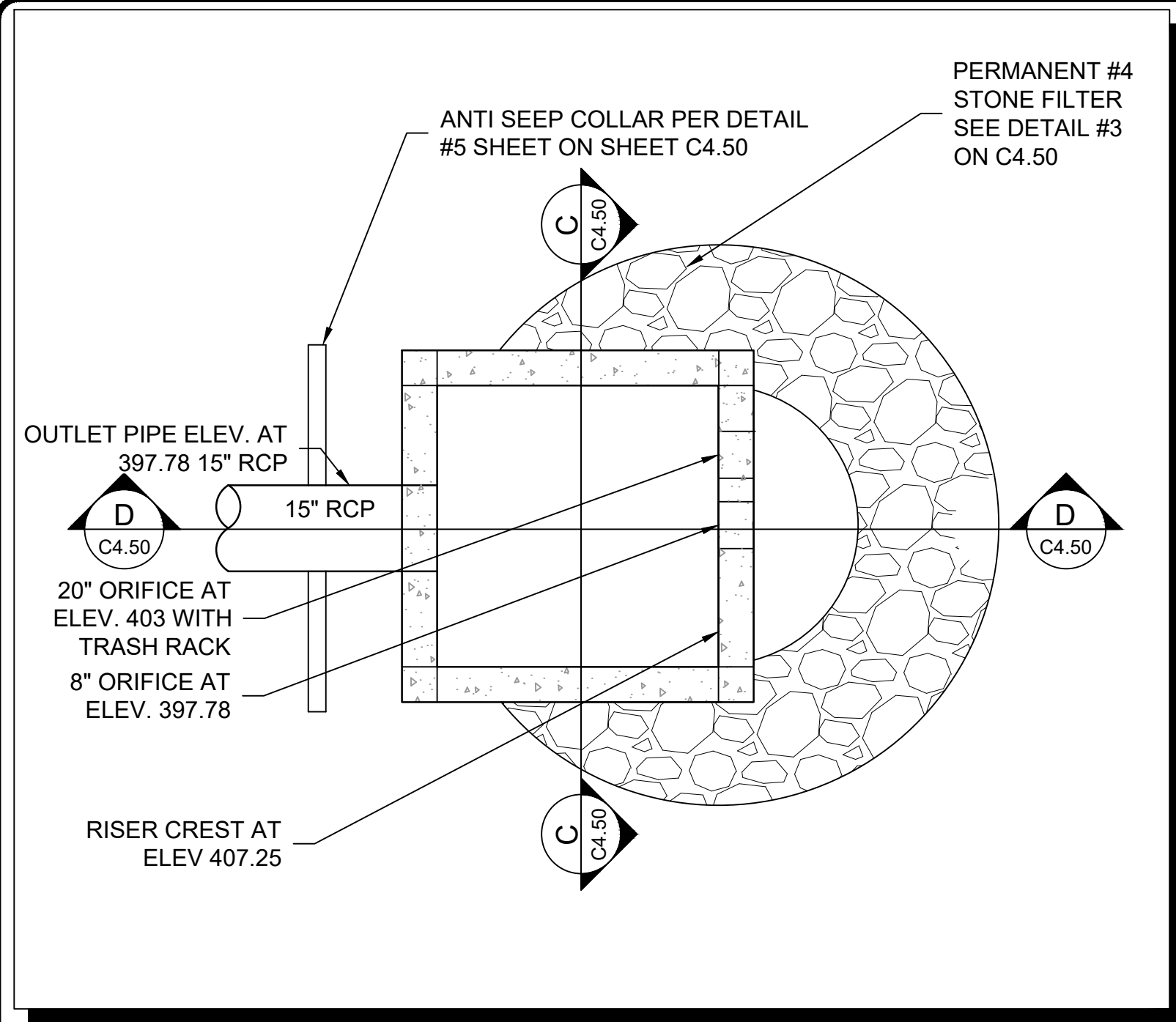
Addenda No.

Addenda Date

- Bidder is familiar with the site and is satisfied as to the general, local and site conditions that may affect cost, progress, and performance of the work.

**Invitation to Bid
Airport Storm Drainage Outlet
BID # 2025-38
Due Date: June 26, 2025**

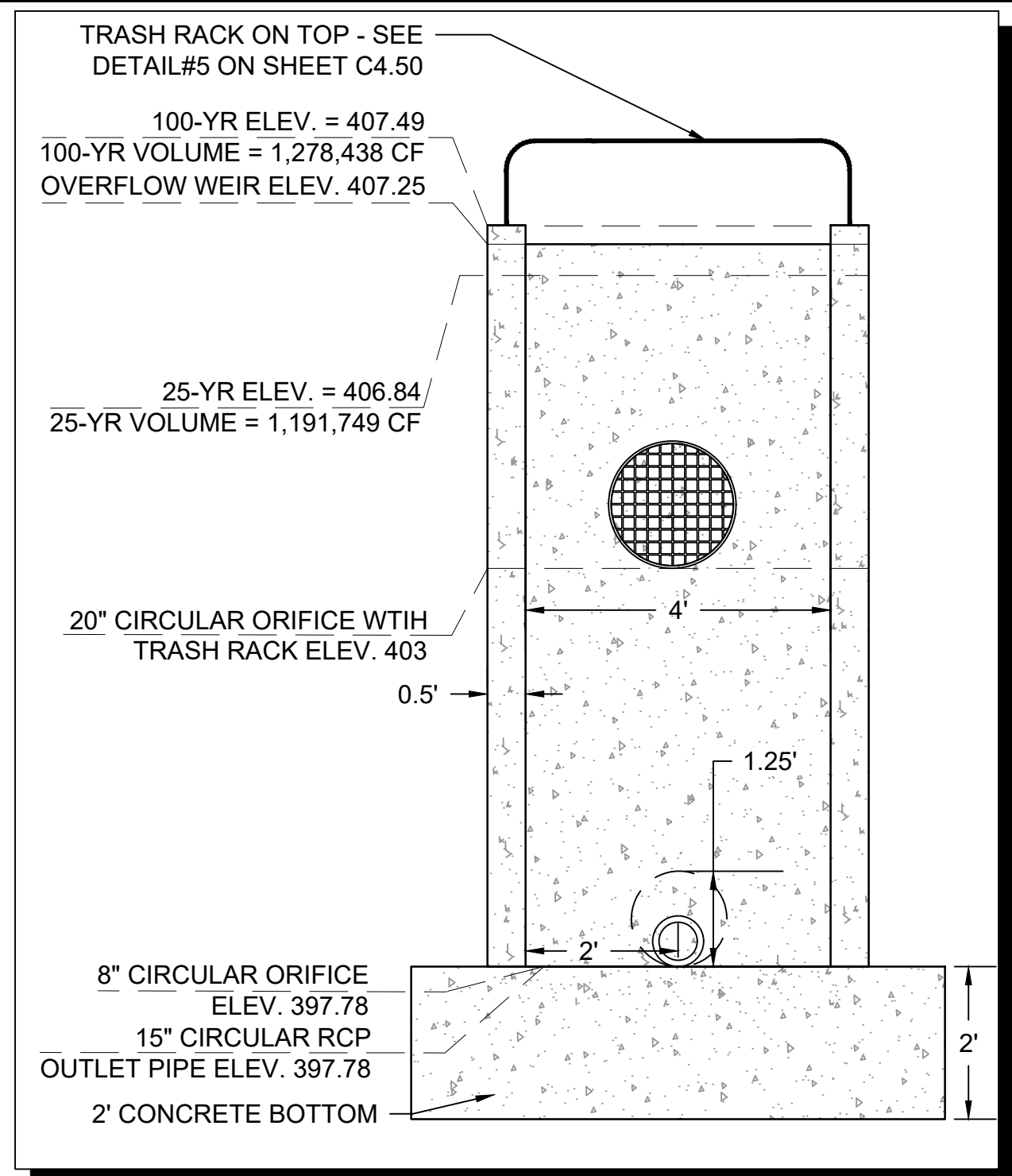
Attachment A



**MODIFIED OUTLET CONTROL STRUCTURE
PLAN VIEW**

SCALE 1" = 2'

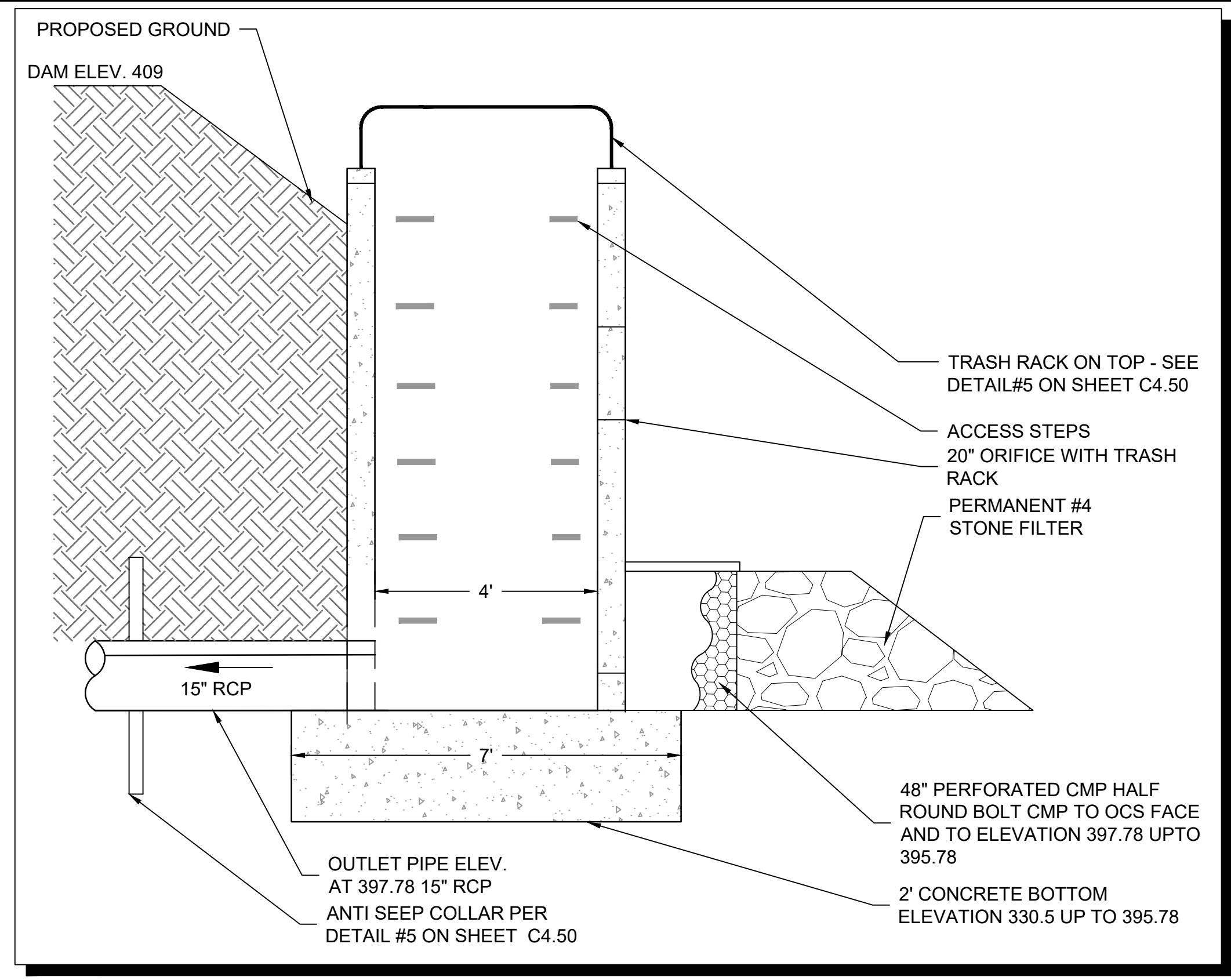
1
C4.50



MODIFIED OUTLET CONTROL STRUCTURE SECTION VIEW C-C

SCALE 1" = 2'

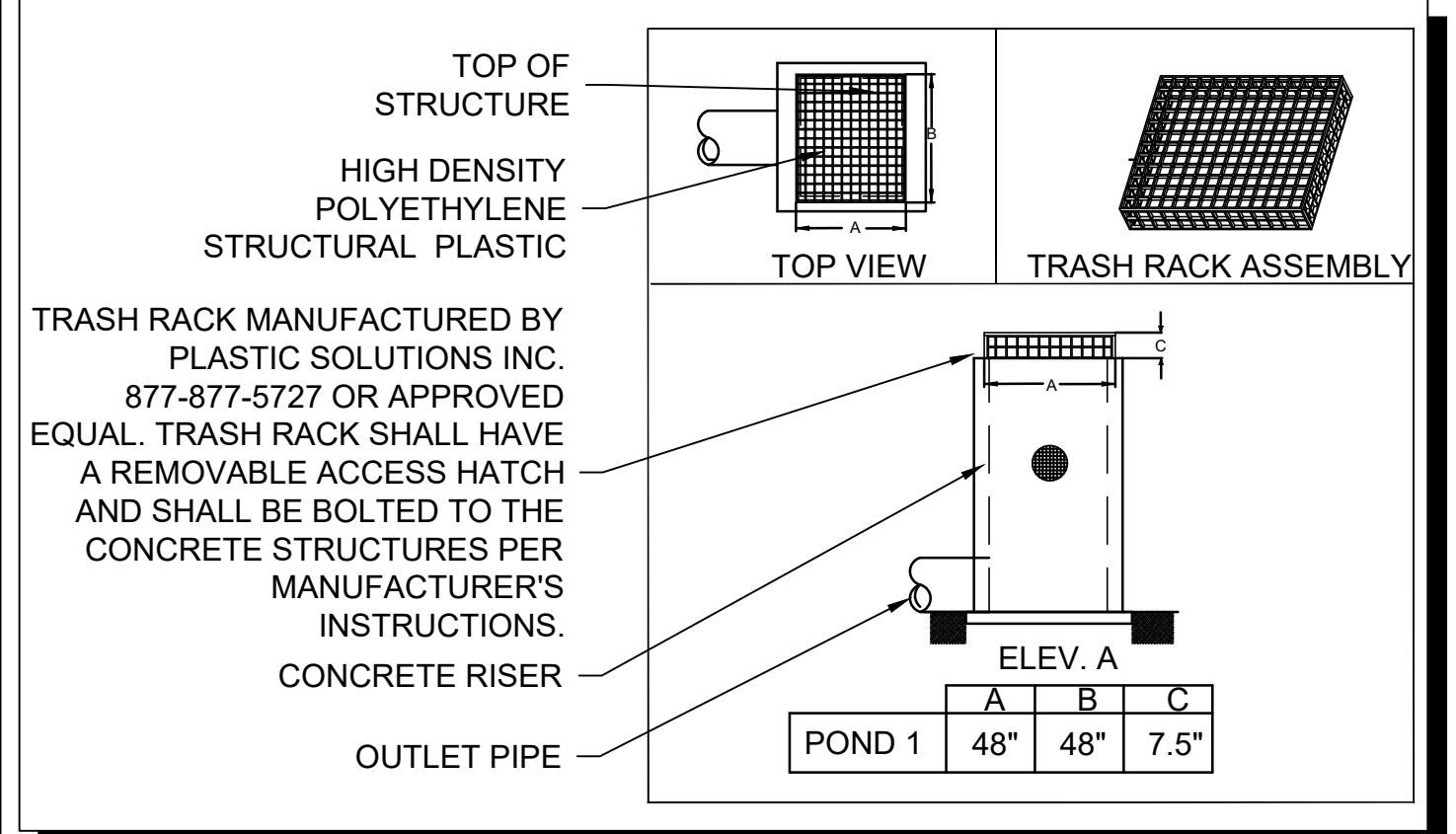
2
C4.50



MODIFIED OUTLET CONTROL STRUCTURE SECTION VIEW D-D

SCALE 1" = 2'

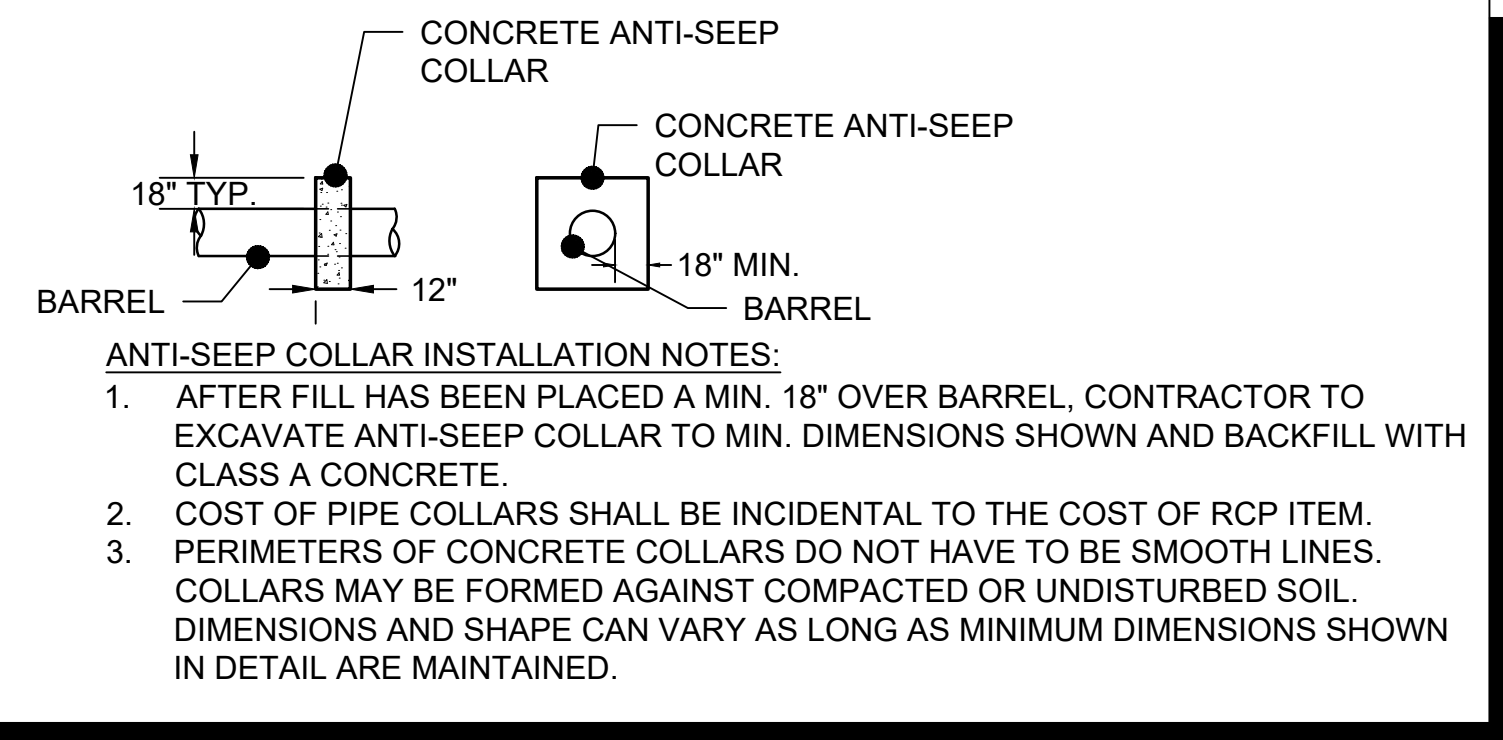
3
C4.50



TRASH RACK DETAILS

N.T.S.

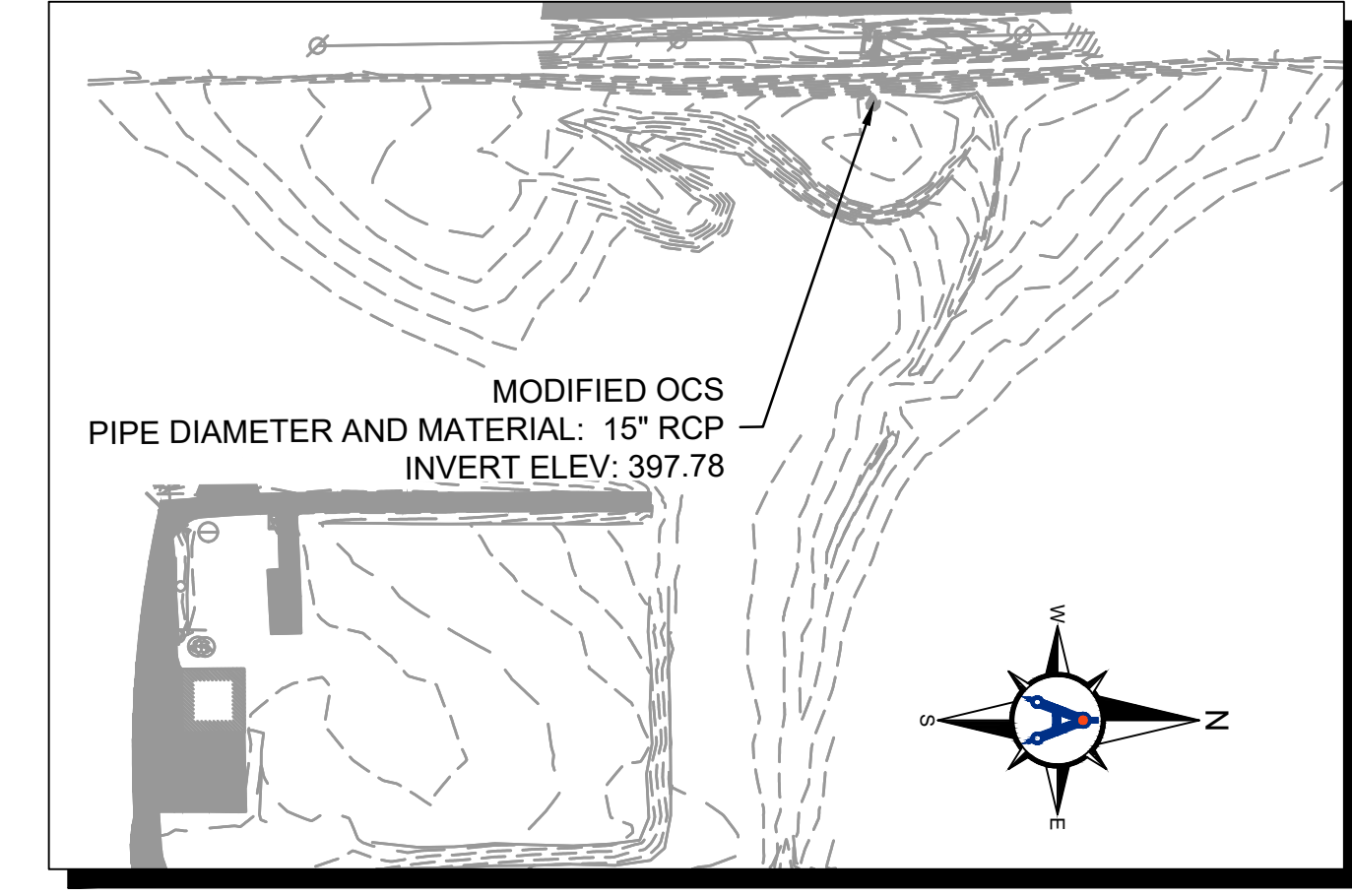
4
C4.50



ANTI-SEEP COLLAR

N.T.S.

5
C4.50



TOP VIEW STORM WATER POND

SCALE 1" = 250'



PLANS PREPARED BY:

AULICK ENGINEERING LLC
 STORMWATER | HYDRAULICS | EROSION CONTROL
 AIRFIELD & CIVIL SITE | CONSTRUCTION SERVICES
 1900 CENTURY PLACE SUITE 305 CHAMBLEE, GA 30345
 Phone: 678-825-8196 | www.aulickengineering.com

PLANS PREPARED FOR:

PXE
 PERRY-HOUSTON COUNTY AUTHORITY

PROJECT NAME:

STORMWATER MANAGEMENT UPGRADE PROJECT
 A POND IMPROVEMENT DEVELOPMENT
 LOCATED AT:
PERRY-HOUSTON COUNTY AIRPORT AUTHORITY
 PERRY
 HOUSTON COUNTY, GA

MUNICIPAL PROJECT NUMBER
AAAXXXX-XXXXXXX

Professional Engineer Seal for William M. McWhirter, No. PE04285, Professional Engineer, 5/24/25.

GSWCC LEVEL II DESIGN PROFESSIONAL
CERT. #0000098122 EXP. 04/28/2028

REVISIONS

No.	DESCRIPTION	Date	By

STORMWATER MANAGEMENT PLAN

DESIGNED BY: DAS DRAWN BY: DAS CHECKED BY: WMM

PROJECT NUMBER: DIVISION: Civil

DATE: 05/30/2025

SHEET: **CE 4.50**

GDOT SECTION 550

STORM DRAIN PIPE

550-1.1 This item shall consist of grassing and sod placement per the Georgia Department of Transportation Standard Specifications (latest edition) Section 550; and shall conform to the locations shown on the plans or as directed by the Engineer.

The following special provision shall apply to Section 550:

There are no special provisions for this section.

550-2.1 Payment will be under:

Item GDOT-550 Storm Pipe 15 in, Class III

END OF SECTION GDOT-550

The Remainder of This Page Is Intentionally Left Blank

GDOT SECTION 500
CONCRETE STRUCTURES

500-1.1 This item shall consist of grassing and sod placement per the Georgia Department of Transportation Standard Specifications (latest edition) Section 500; and shall conform to the locations shown on the plans or as directed by the Engineer.

The following special provision shall apply to Section 500:

There are no special provisions for this section.

500-2.1 Payment will be under:

Item GDOT-500 Class A concrete including reinforcement steel – per cubic yard

END OF SECTION GDOT-500

The Remainder of This Page Is Intentionally Left Blank

GDOT SECTION 668

MISC DRAINAGE STRUCTURE

668-1.1 This item shall consist of Misc Drainage Structure and sod placement per the Georgia Department of Transportation Standard Specifications (latest edition) Section 668; and shall conform to the locations shown on the plans or as directed by the Engineer.

The following special provision shall apply to Section 668:

There are no special provisions for this section.

668-2.1 Payment will be under:

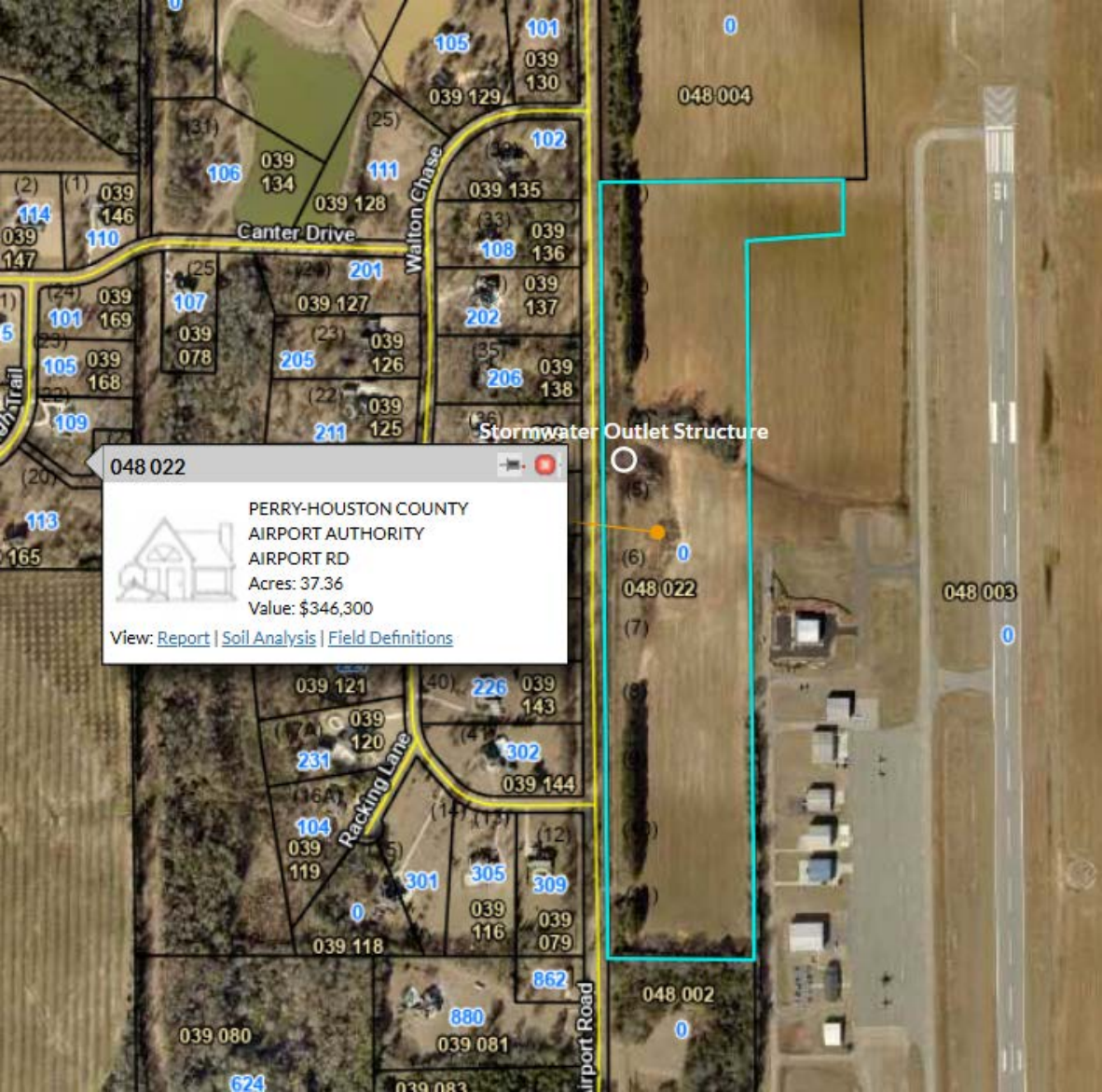
Item GDOT-668	Outlet Control Structure with Trash Rack – per each
---------------	---

END OF SECTION GDOT-668

The Remainder of This Page Is Intentionally Left Blank

Invitation to Bid
Airport Storm Drainage Outlet
BID # 2025-38
Due Date: June 26, 2025

Attachment B
"Site Aerial View"



048 022



PERRY-HOUSTON COUNTY
AIRPORT AUTHORITY
AIRPORT RD
Acres: 37.36
Value: \$346,300

View: [Report](#) | [Soil Analysis](#) | [Field Definitions](#)

Stormwater Outlet Structure

0
048 022
(6)
(7)

048 003

0

048 002

0

039 080

624

039 081

039 083

880

862

039 121

231

104

039 119

039 118

039 120

40

226

039 143

302

039 144

301

305

309

039 116

039 079

105

101

039 130

102

039 135

108

202

039 137

206

039 138

Canter Drive

Walton Chase

Racking Lane

Airport Road

5
Trail

(2)
114

(1)
101

(20)
113

165

(1)
146

039 147

(24)
105

(25)
109

106

039 134

111

039 128

201

205

211

107

039 078

039 127

039 126

039 125

039 129

048 004

0

0

048 003

0

048 002

0

039 080

624

039 081

039 083

880

862

039 121

231

104

039 119

039 118

039 120

40

226

039 143

302

039 144

301

305

309

039 116

039 079

105

101

039 130

102

039 135

108

202

039 137

206

039 138

Canter Drive

Walton Chase

Racking Lane

Airport Road

5
Trail

(2)
114

(1)
101

(20)
113

165

(1)
146

039 147

(24)
105

(25)
109

106

039 134

111

039 128

201

205

211

107

039 078

039 127

039 126

039 125

039 129

048 004

0

0

048 003

0

048 002

0

039 080

624

039 081

039 083

880

862

039 121

231

104

039 119

039 118

039 120

40

226

039 143

302

039 144

301

305

309

039 116

039 079

105

101

039 130

102

039 135

108

202

039 137

206

039 138

Canter Drive

Walton Chase

Racking Lane

Airport Road

5
Trail

(2)
114

(1)
101

(20)
113

165

(1)
146

039 147

(24)
105

(25)
109

106

039 134

111

039 128

201

205

211

107

039 078

039 127

039 126

039 125

039 129

048 004

0

0

048 003

0

048 002

0

039 080

624

039 081

039 083

880

862

039 121

231

104

039 119

039 118

039 120

40

226

039 143

302

039 144

301

305

309

039 116

039 079

105

101

039 130

102

039 135

108

202

039 137

206

039 138

Canter Drive

Walton Chase

Racking Lane

Airport Road

5
Trail

(2)
114

(1)
101

(20)
113

165

(1)
146

039 147

(24)
105

(25)
109

106

039 134

111

039 128

201

205

211

107

039 078

039 127

039 126

039 125

039 129

048 004

0

0

048 003

0

048 002

0

039 080

624

039 081

039 083

880

862

039 121

231

104

039 119

039 118

039 120

40

226

039 143

302

039 144

301

305

309

039 116

039 079

105

101

039 130

102

039 135

108

202

039 137

206

039 138

Canter Drive

Walton Chase

Racking Lane

Airport Road

5
Trail

(2)
114

(1)
101

(20)
113

165

(1)
146

039 147

(24)
105

(25)
109

106

039 134

111