




MEMORANDUM

TO: Interested Bidders

FROM: Mitchell Worthington, Finance Director 

DATE: January 7, 2021

SUBJECT: Bid #2021-19
2020 or Newer Cargo Van (2)

The City of Perry is soliciting bids from qualified vendors for the purchase of two (2) Cargo Vans according to the attached specifications.

I ask that you strictly comply with these specifications and return the same to the City of Perry, clearly marked "BID NUMBER 2021-19", on or before 10:00 AM on January 29, 2021. Bids can be mailed or delivered to the Finance Department - Purchasing, ATTN: Bid #2021-19, CITY OF PERRY GA, 1211 Washington Street, P O Box 2030, Perry, GA 31069. No faxes or emails accepted. No other city office will accept bids unless specified on the bid.

The City of Perry reserves the right to accept any and all parts of this bid. We also reserve the right to reject all bids and to waive informalities.

Please include any delivery charges in your bid.

If you have any questions, please contact Mitchell Worthington at 478-988-2709.

Attachments

Bid Number 2021-19

Bid Specifications for 2020 or Newer Cargo Van

Quantity : 2

Public Works

Minimum Specifications	Able to Comply	Unable to Comply	Comments
ENGINE/DRIVETRAIN CAPABILITIES			
Minimum 162 HP			
Minimum 144 ft. lbs. SAE Torque			
Minimum Max Payload: 1,500 lbs.			
Regular Unleaded Fuel			
Automatic Transmission			
Minimum 15 gal Fuel Capacity			
INTERIOR			
Seating Capacity: 2			
Minimum Cargo Height of 49" (at max point)			
Sliding Side Door			
-Minimum Side Door Opening Dimensions 47"x24" (HxW)			
Swing Open Rear Doors w/Windows			
-Minimum Rear Door Opening Dimensions 47"x49" (HxW)			
-Glass Window on Rear Cargo Door			
Rear Cargo Area Light			
Maximum Load Floor Height (at curb weight): 24"			
Minimum Cargo Volume Behind Seats: 104 cu.ft.			
EXTERIOR			
Minimum Wheelbase: 104"			
Minimum Overall Length: 174"			
Minimum Overall Height (at curb weight): 72"			
Color: White			
Upfitting			
Adrian Steel "General Service Package" (Item #5225) for 2014 or newer short wheelbase models*†			

*The City may accept bids comprised of an upfitting package other than the one specified in this bid solicitation if the proposed upfitting package is similar in make, quality, and components. Determination of similarity in make, quality and components is at the City's sole discretion. Any bid comprised of an upfitting package other than the one specified in this bid solicitation must include a detailed picture/drawing and spec sheet of all proposed alternatives.

† A copy of the spec sheet for the Adrian Steel "General Service Package" (Item #5225) is included as the last page in this bid solicitation

Bid Number 2021-19
Bid Specifications for 2020 or Newer Cargo Van
Quantity : 2

Public Works

Bid Price:

Bid Valid for:

Delivery Time:

Company Name:

Address:

Contact Name:

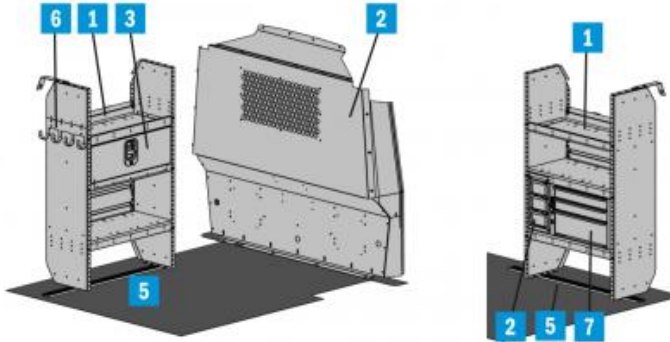
Contact Number:

Email Address:

Authorized Signature

Date

Note: Please provide brochure and detailed list of specifications for equipment with bid.



General Service Package

Item #5225

fits 2014 Transit Connect Short Wheelbase

This Transit Connect General Service Package fits 2014 and newer short wheelbase models. The package includes a steel partition and shelving with drawers and a door kit.

Item	Model	Description	Qty.
1	AD1226TC14	ADseries Shelf 26"	2
2	DC6	Drawer Component 6"	1
3	DK26TC	Door Kit	1
4	P2TCS14	Steel Partition	1
5	RKTC14	Rail Kit - 38"	2
6	TA1	Four Hook Bar	1
7	919	Three Drawer Combo	1